

THIS DRAWING IS AN UNCONTROLLED COPY UNLESS STAMPED OTHERWISE

CONTRACTORS SHALL VERIFY ALL DIMENSIONS BEFORE ANY JOBS COMMENCE. ALL SHOP DRAWINGS SHALL BE SUBMITTED TO THE SUPERINTENDENT AND MANUFACTURE SHALL NOT COMMENCE PRIOR TO THE RETURN OF DIMENSIONED SHOP DRAWINGS. BY THE CONSULTANT. DIMENSIONS SHALL TAKE PRECEDENCE OVER SCALES. THIS DRAWING SHOULD BE READ IN CONJUNCTION WITH ALL RELEVANT CONTRACT SPECIFICATIONS AND DRAWINGS COPYRIGHT OF THIS DRAWING IS VESTED IN WARDLE.

General Notes ALL JOINERY TO REFER TO INTERIOR ELEVATIONS (AR100 SERIES)

18mm E1 MDF CARCASS THROUGHOUT UNLESS OTHERWISE NOTED.
ALL NON EXPOSED CARCASS TO BE MATCHING LAMINATE UNLESS OTHERWISE NOTED.

ALL NON EXPOSED CARCASS TO BE BLACK LAMINATE TO JOINERY RECEIVING TIMBER VENEER FINISH. REFER MATERIALS SCHEDULE [PL-05]

ALL NON EXPOSED CARCASS TO BE WHITE LAMINATE TO JOINERY RECEIVING STAINLESS STEEL CLADDING. REFER MATERIALS SCHEDULE [PL-01]

ALL EXPOSED EDGES TO TIMBER VENEER PANELS TO HAVE TO RECEIVE 3mm THK MATCHING SOLID EDGES UNLESS OTHERWISE NOTED.

SPLIT BATTENS TO BE 12mm UNLESS OTHERWISE NOTED.
APPLY MATCHING LAMINATE ABS EDGING TO LAMINATED BENCHTOPS, UNLESS OTHERWISE NOTED

REFER TO '1300 - MATERIALS SCHEDULE' FOR A DESCRIPTION OF THE MATERIAL CODES AS SHOWN ON THIS DRAWING. [TV-02]

REFER TO '1400 - FIXTURES, FITTINGS & EQUIPMENT SCHEDULE' FOR A DESCRIPTION OF THE FF&E CODES AS SHOWN ON THIS DRAWING. [E0H-02]

ALL JOINERY LOCKS TO BE [SK-02] UNLESS OTHERWISE NOTED.
REFER TO DRAWING AR7300 FOR MOUNTING HEIGHTS FOR ALL SERVICES FIXTURES, UNLESS OTHERWISE DIMENSIONED ON THE JOINERY ELEVATIONS.

ALL CORNER JUNCTIONS TO BE MITRED UNLESS OTHERWISE NOTED.
ALL UPHOLSTERY STITCHING TOO MATCH FABRIC COLOUR UNLESS OTHERWISE NOTED

FS = FIXED SHELF
AS = ADJUSTABLE SHELF

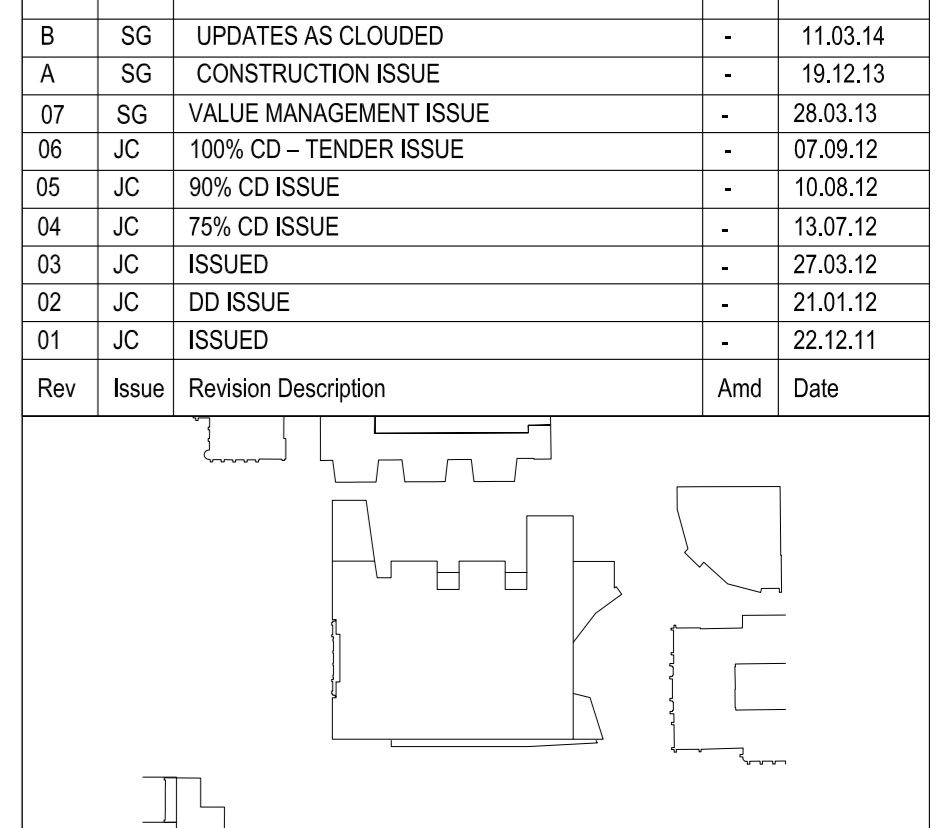
FP = FIXED PANEL
PJ = PANEL JOIN. MAXIMUM WIDTH 2mm

C.O.S = CHECK ON SITE - DIMENSIONS MUST BE VERIFIED ON SITE BY CONTRACTOR PRIOR TO COMMENCEMENT OF CONSTRUCTION.

NOM. = NOMINAL
TYP. = TYPICAL
SIM. = SIMILAR
MIRR. = MIRROR
FCL = FINISHED CEILING LEVEL
FFL = FINISHED FLOOR LEVEL
SSL = STRUCTURAL SLAB LEVEL
C = CENTRELINE

↗ = DIRECTION OF GRAIN / LINISH

Rev	Issue	Revision Description	Amt	Date
B	SG	UPDATES AS CLOUDED	-	11.03.14
A	SG	CONSTRUCTION ISSUE	-	19.12.13
07	SG	VALUE MANAGEMENT ISSUE	-	28.03.13
06	JC	100% CD - TENDER ISSUE	-	07.08.12
05	JC	90% CD ISSUE	-	10.08.12
04	JC	75% CD ISSUE	-	13.07.12
03	JC	ISSUED	-	27.03.12
02	JC	DD ISSUE	-	21.01.12
01	JC	ISSUED	-	22.12.11



NADAAA
NADAAA
1520 Washington Street No.2 Boston Massachusetts 02118 USA
Telephone +1 617 442 6232 Facsimile +1 604 442 1417 Email nadaa@nadaaa.com

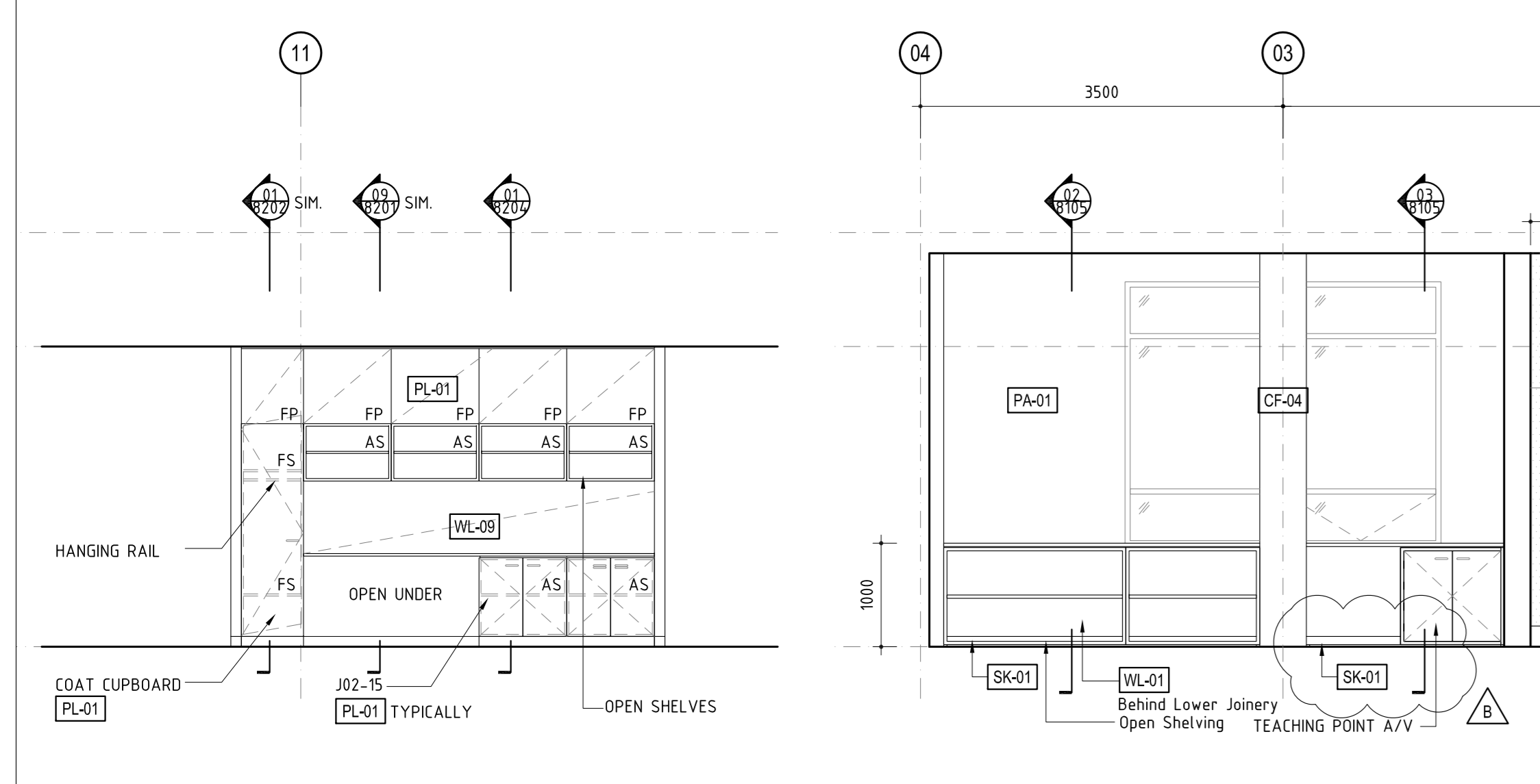
John Wardle Architects
25 Rokeby Street, Collingwood Victoria 3066 Australia
Tel: +61 3 8662 0400 www.johnwardlearchitects.com
© 2014 John Wardle Architects ABN 83 006 814 268

Client **University of Melbourne Parkville Campus**
Project **Faculty of Architecture Building and Planning**

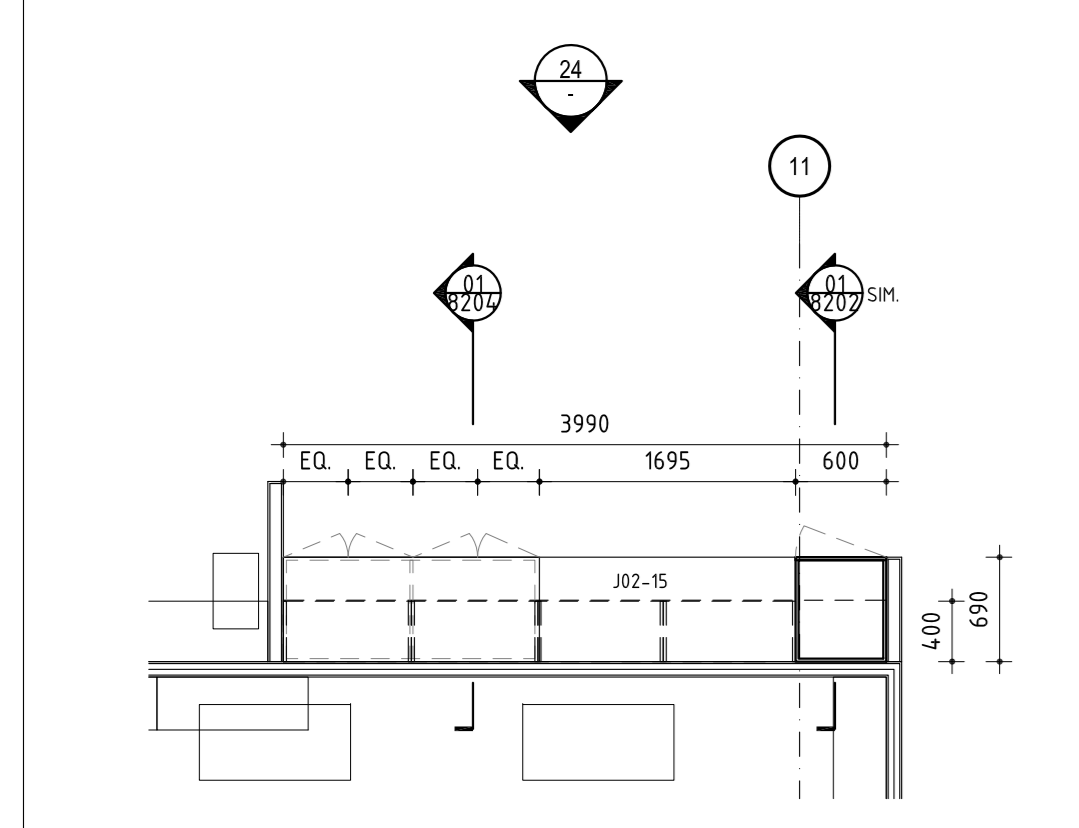
Title **JOINERY PLANS & ELEVATIONS L02**

Project No. **0913** Scale 1:50 @ A0
Drawing No. **AR8101** Revision **B**
Date MARCH 2014 Dwnn JJ Co-Ord AC Chk SG

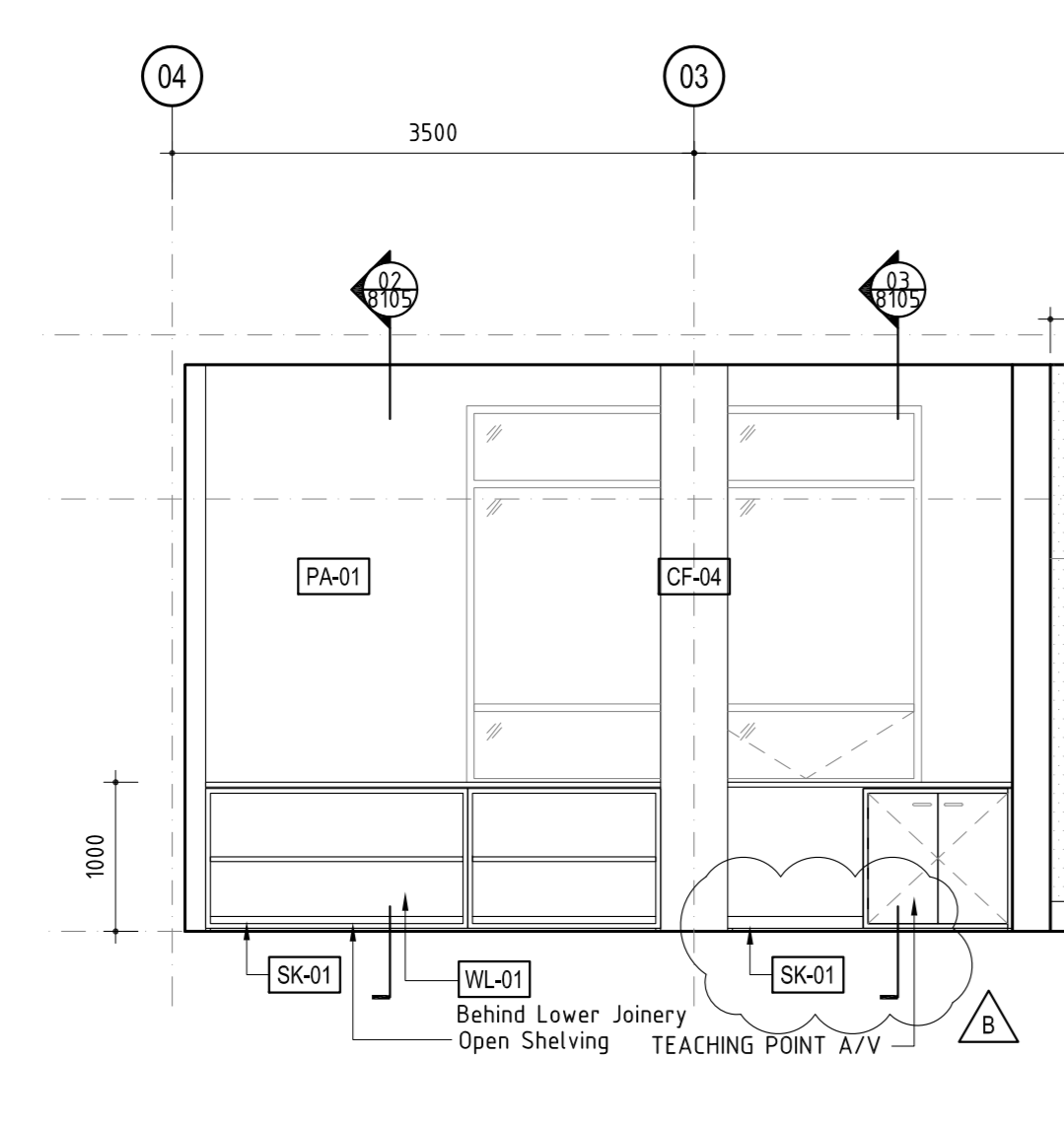
FOR CONSTRUCTION



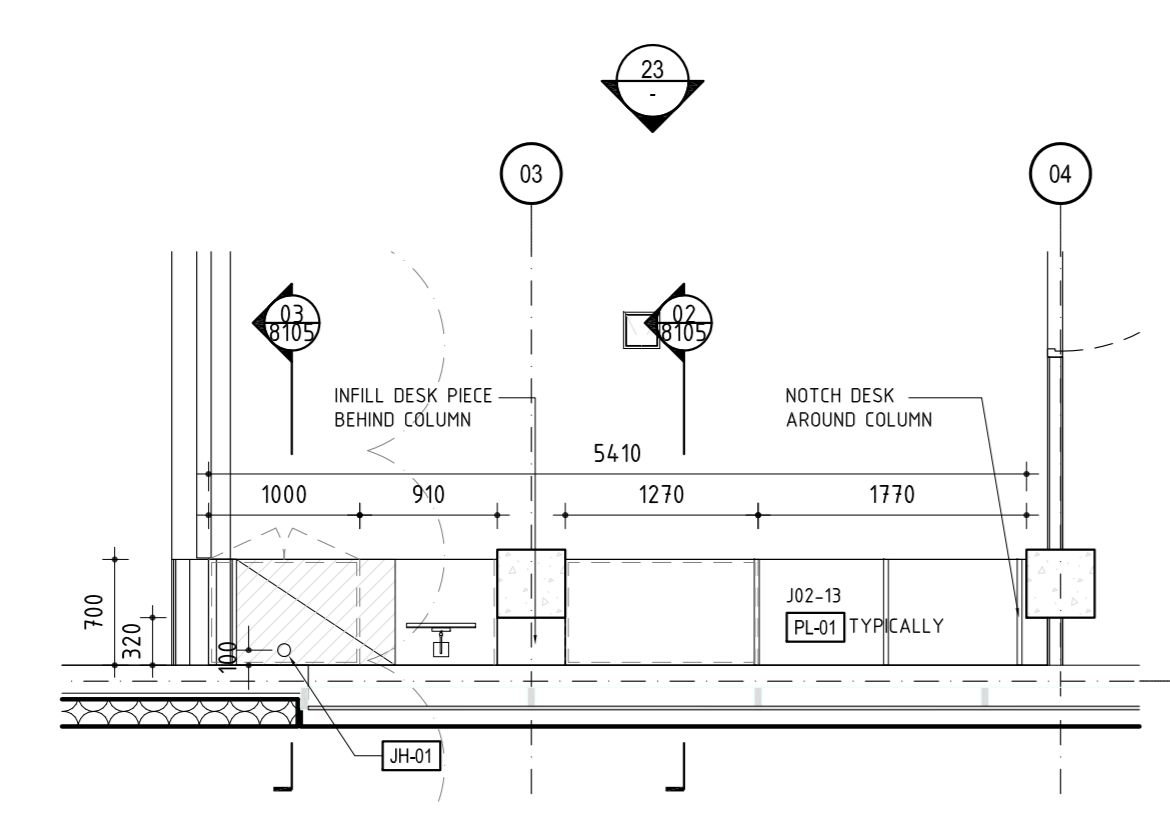
24 J02-15 - JOINERY ELEVATION
SCALE 1:50



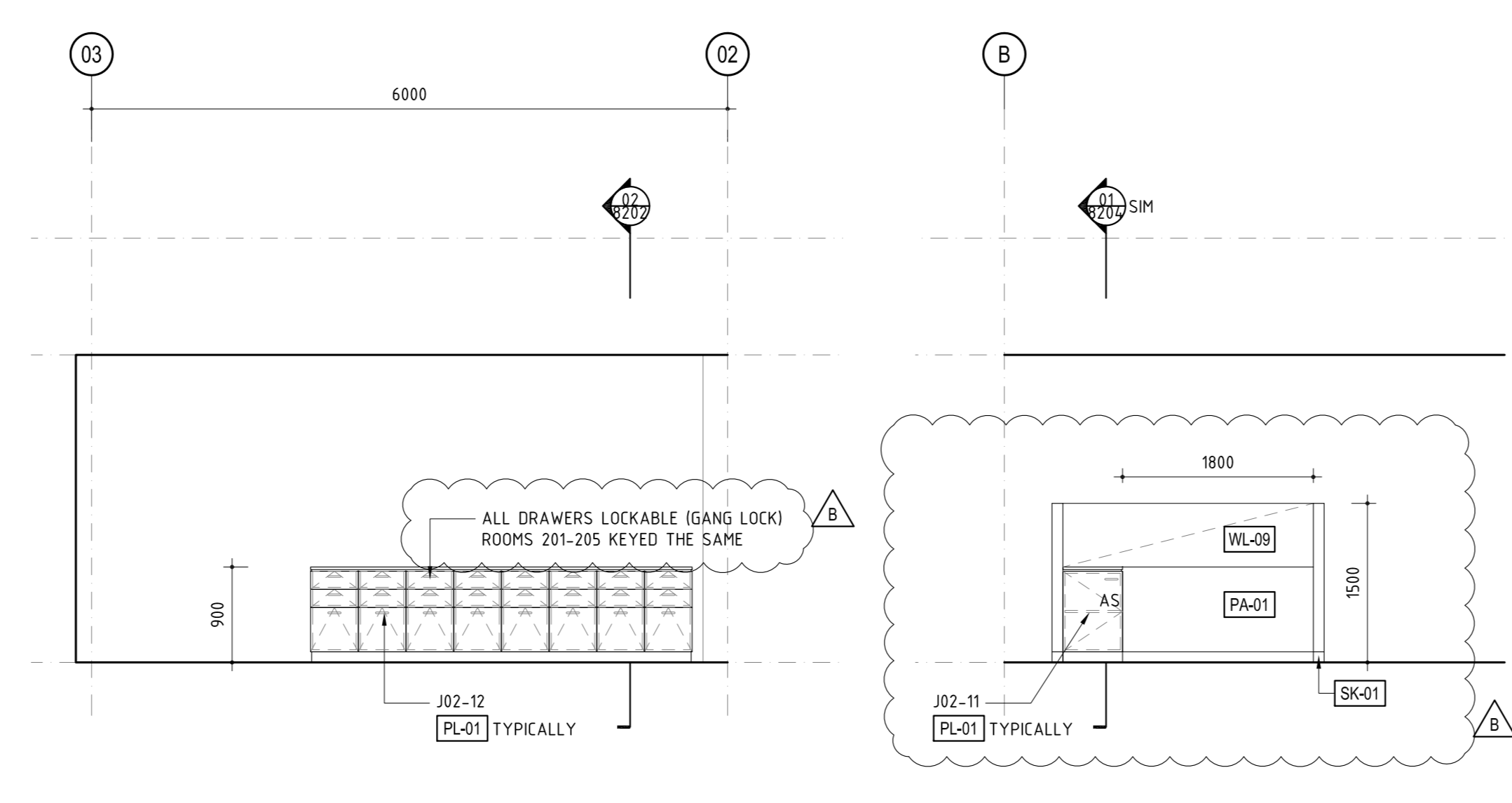
18 J02-15 - JOINERY PLAN
SCALE 1:50



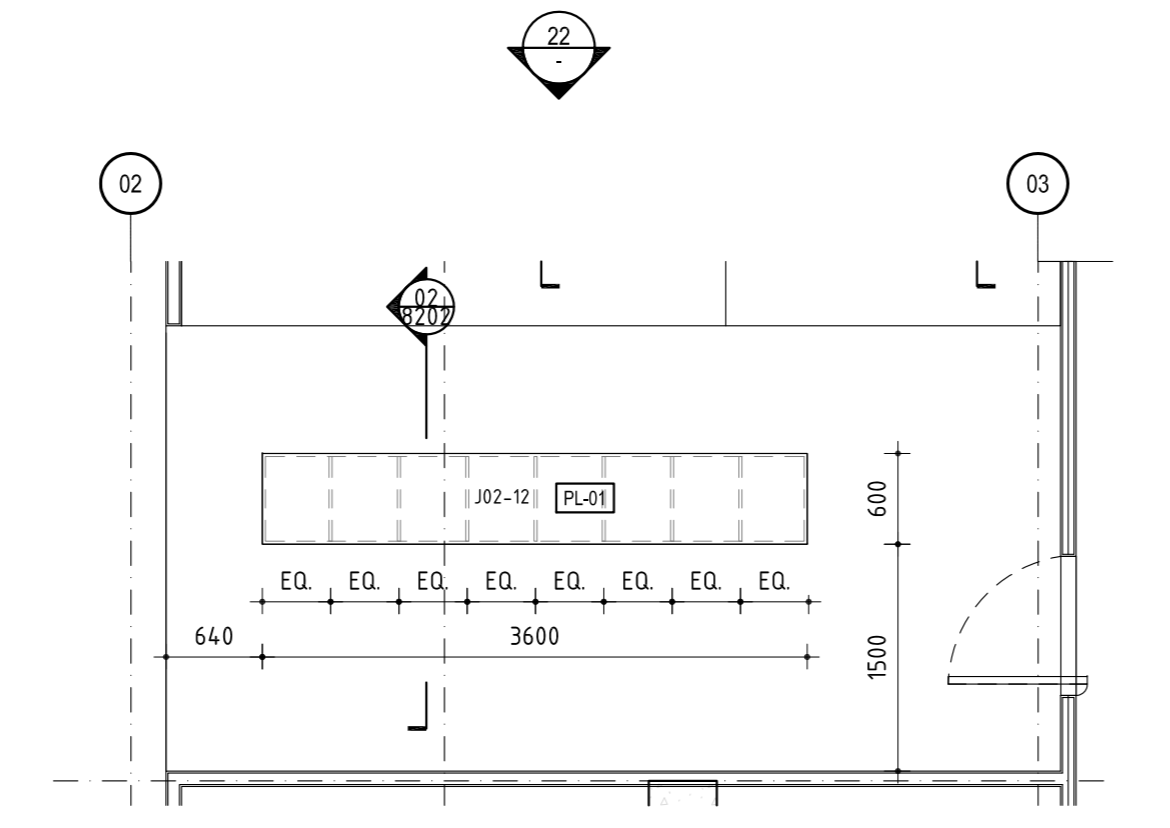
23 J02-13 - JOINERY ELEVATION
SCALE 1:50



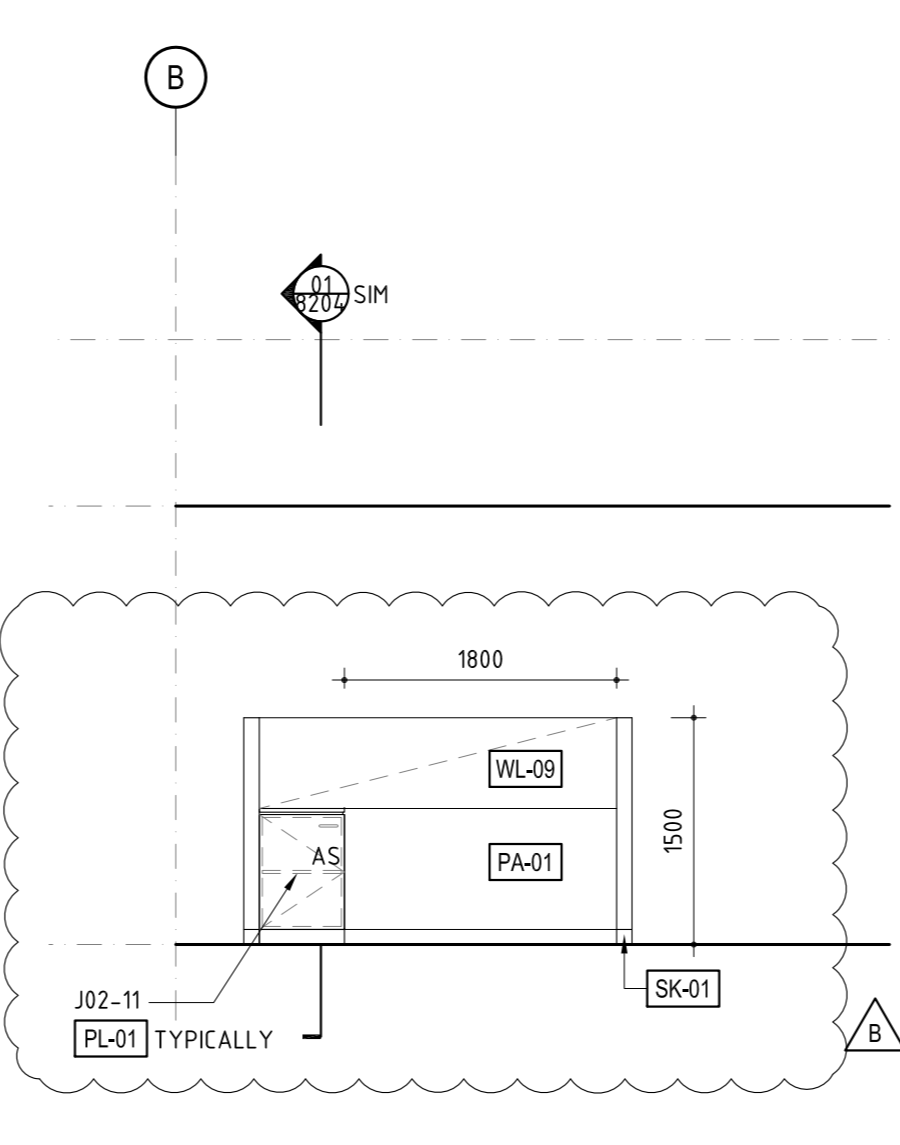
17 J02-13 - JOINERY PLAN
SCALE 1:50



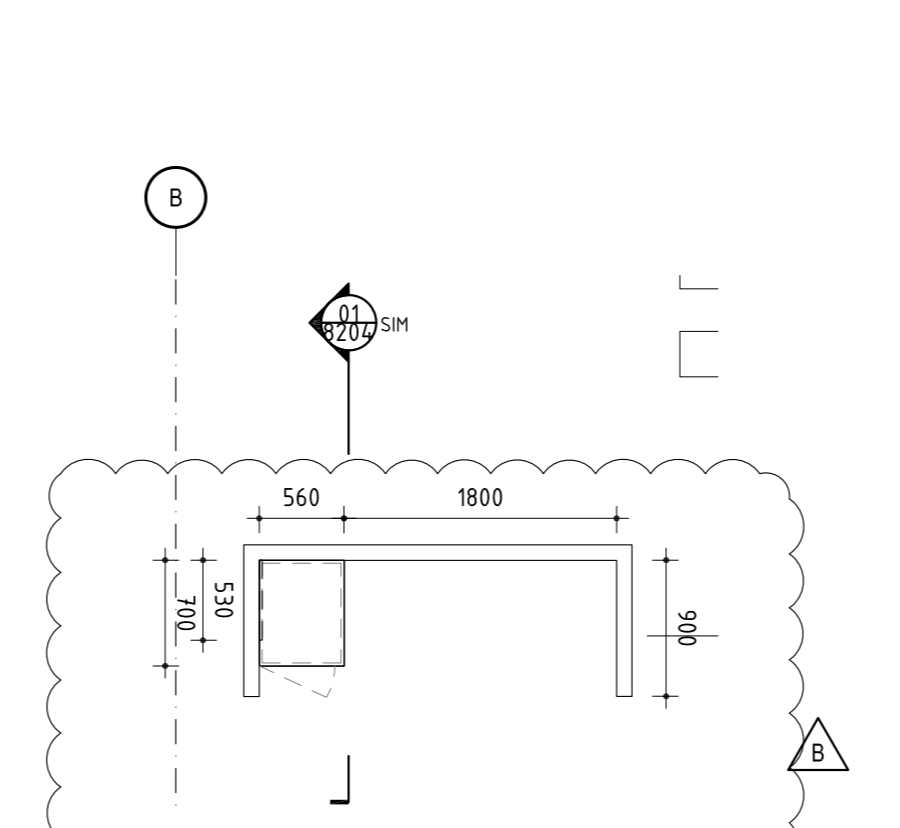
22 J02-12 - JOINERY ELEVATION
SCALE 1:50



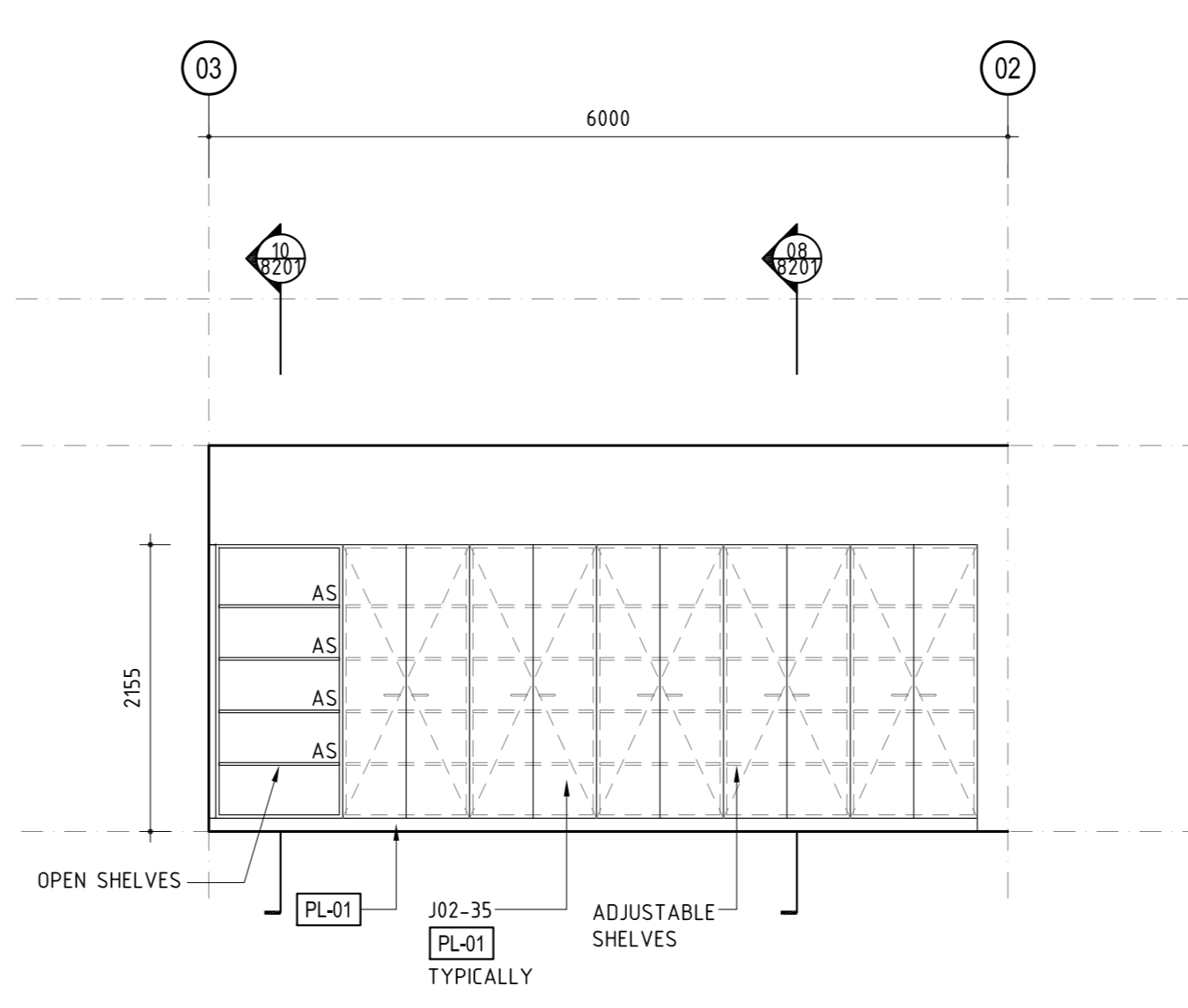
16 J02-12 - JOINERY PLAN
SCALE 1:50



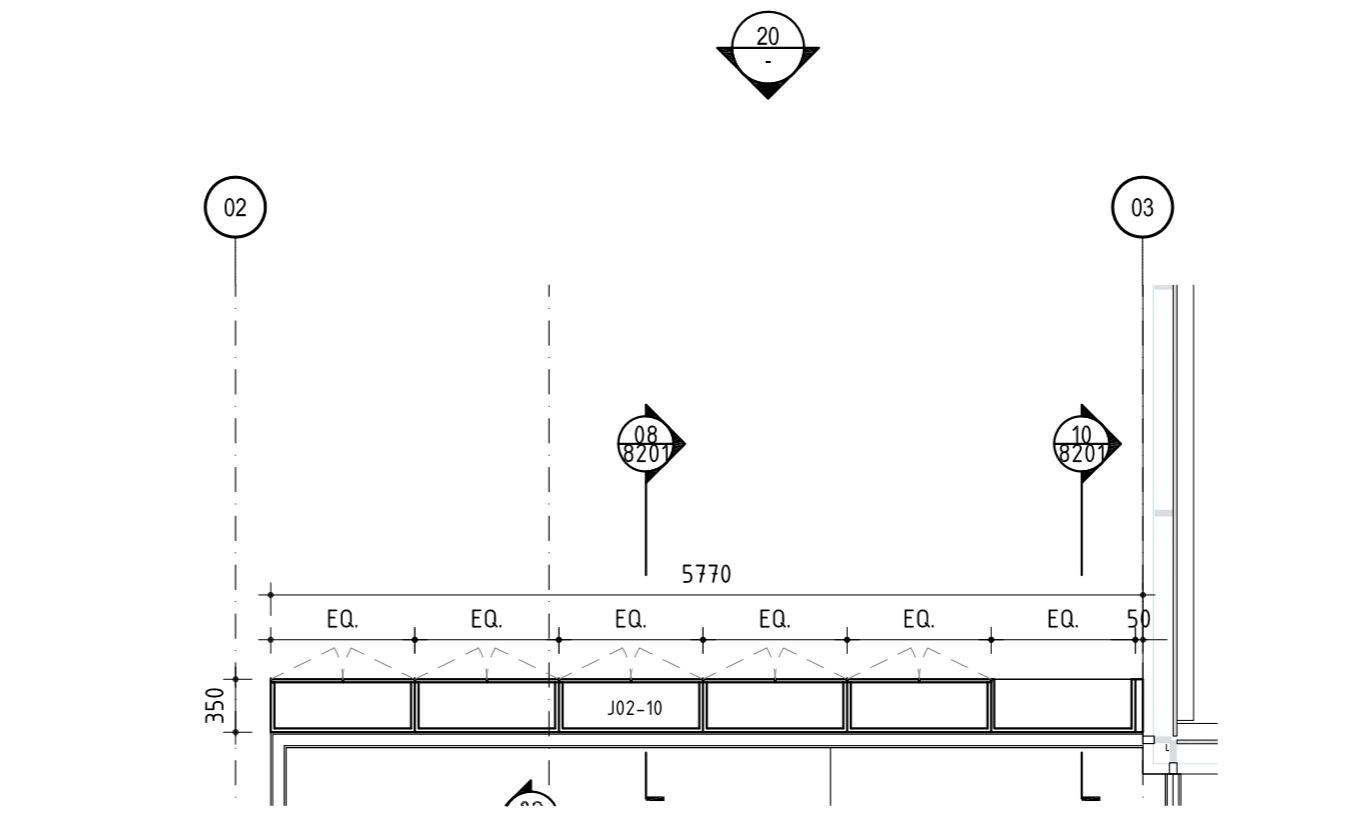
21 J02-11 - JOINERY ELEVATION
SCALE 1:50



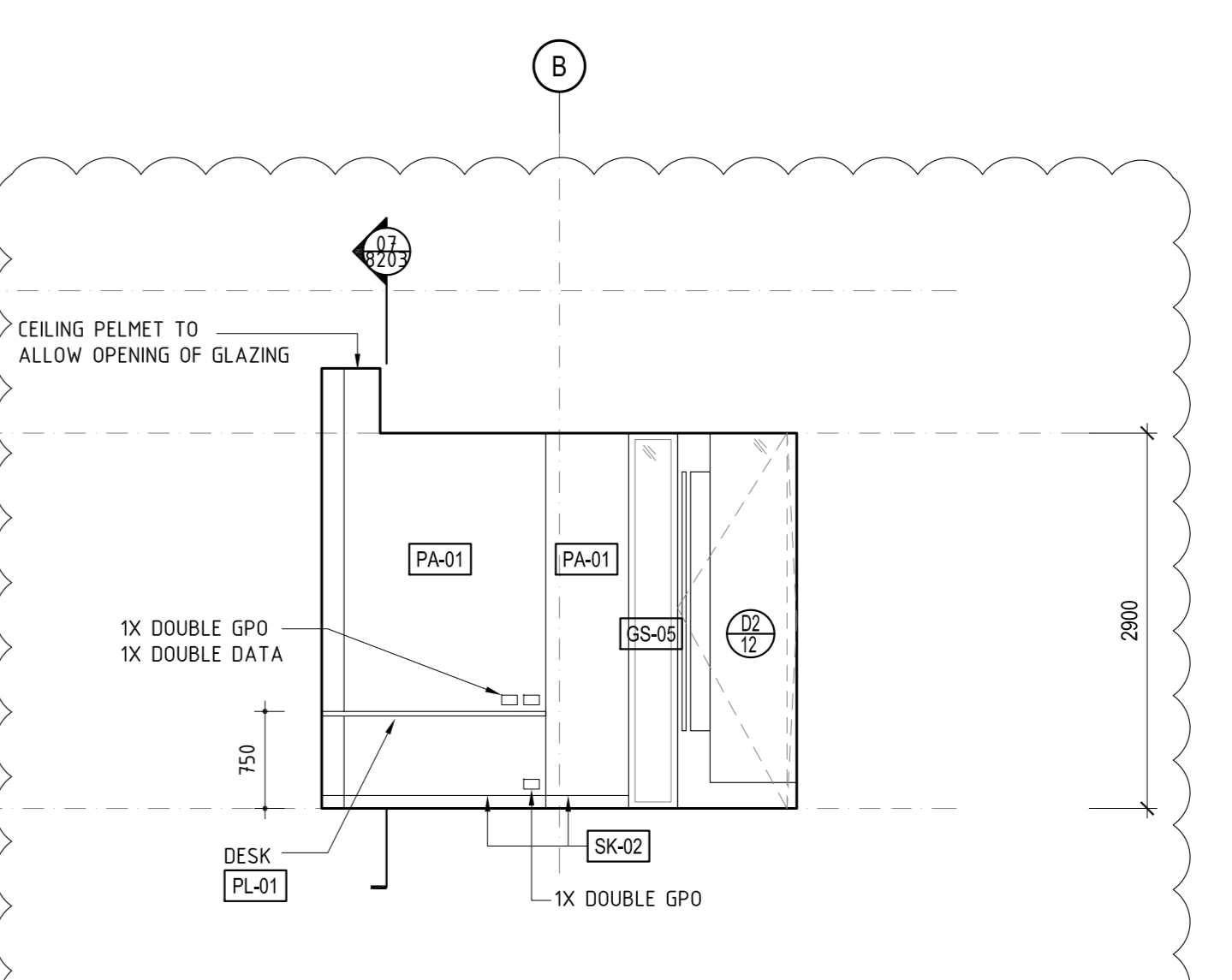
15 J02-11 - JOINERY PLAN
SCALE 1:50



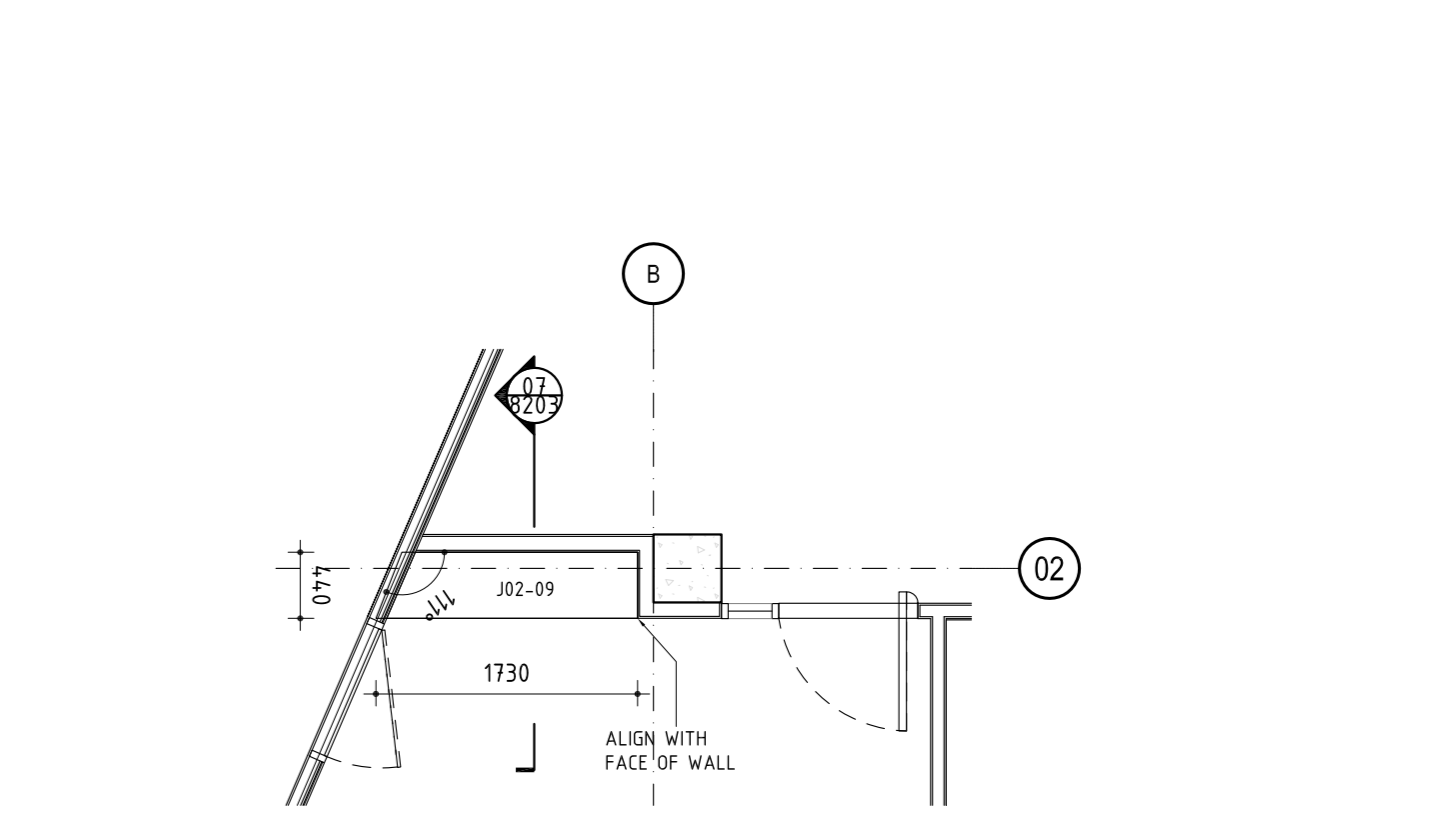
20 J02-10 - JOINERY ELEVATION
SCALE 1:50



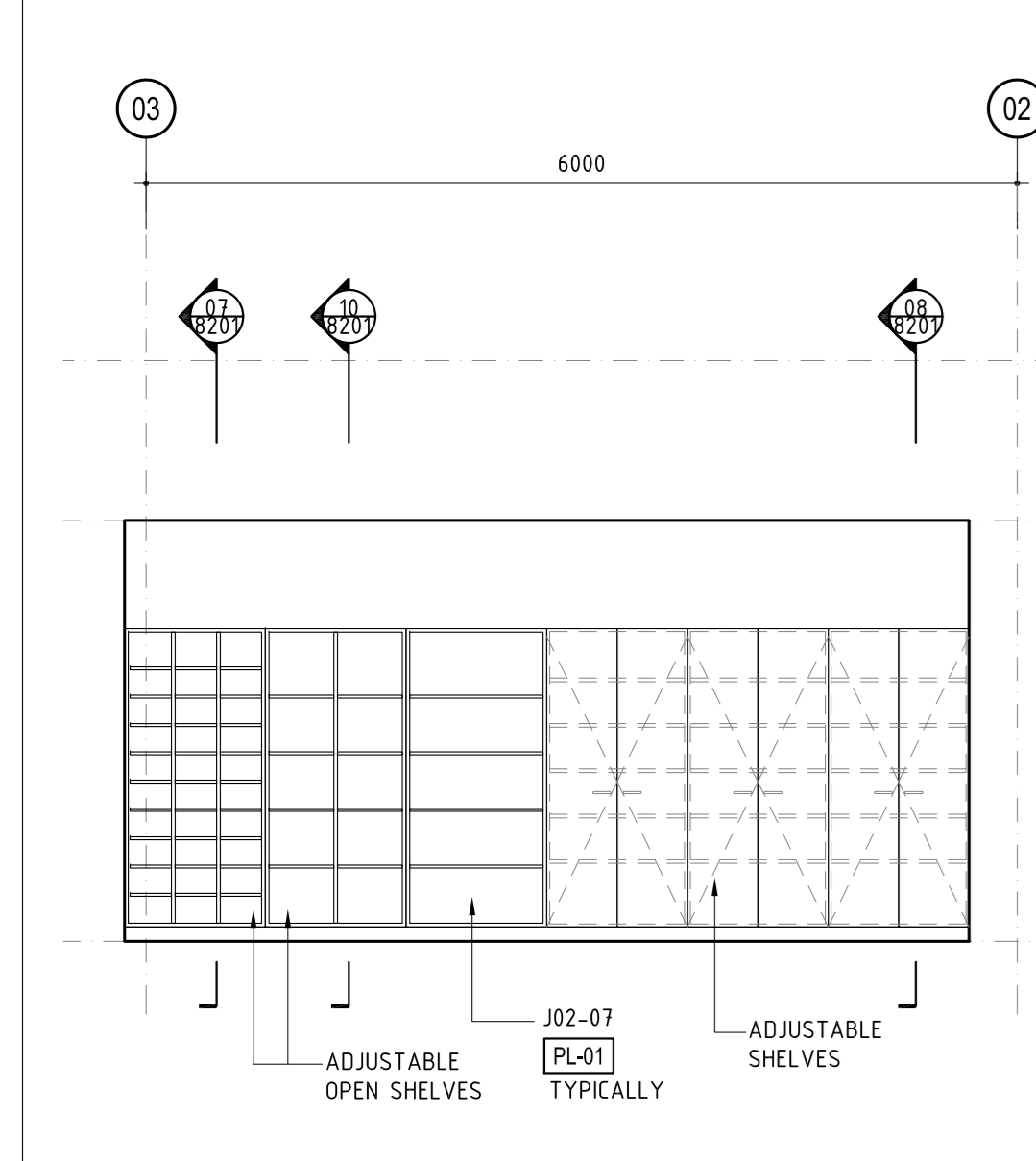
14 J02-10 - JOINERY PLAN
SCALE 1:50



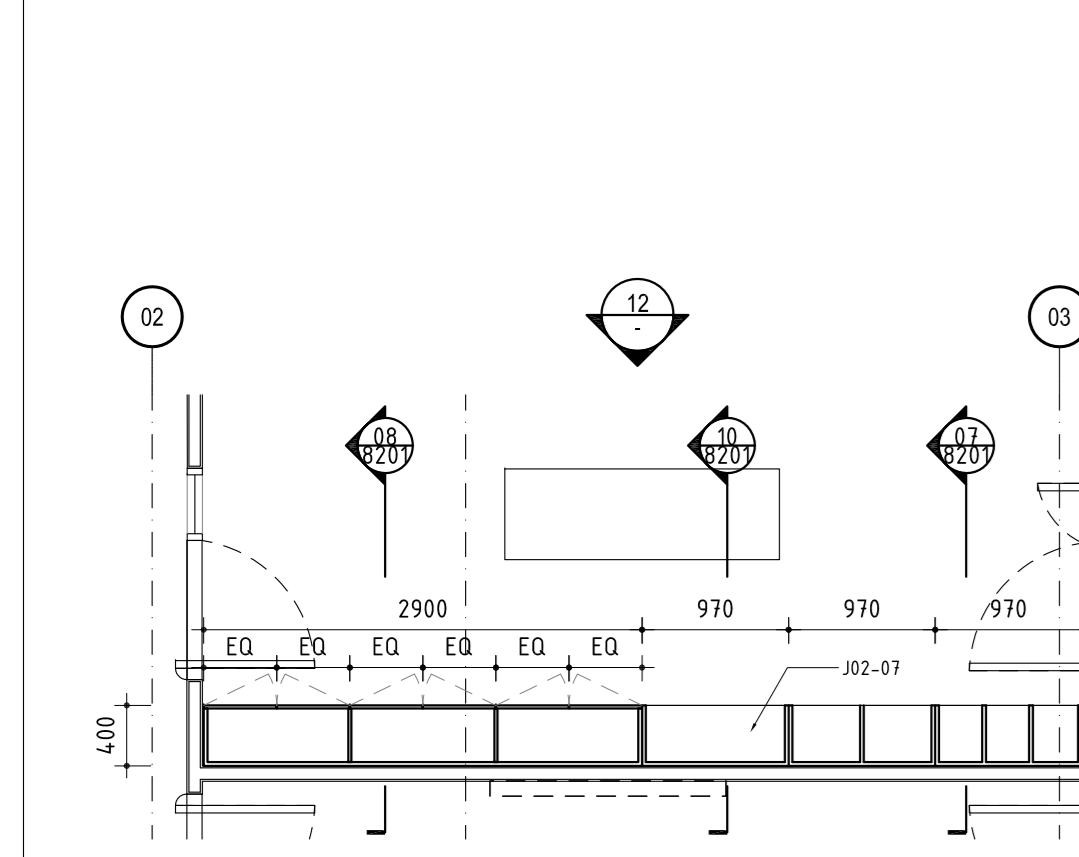
19 J02-09 - JOINERY ELEVATION
SCALE 1:50



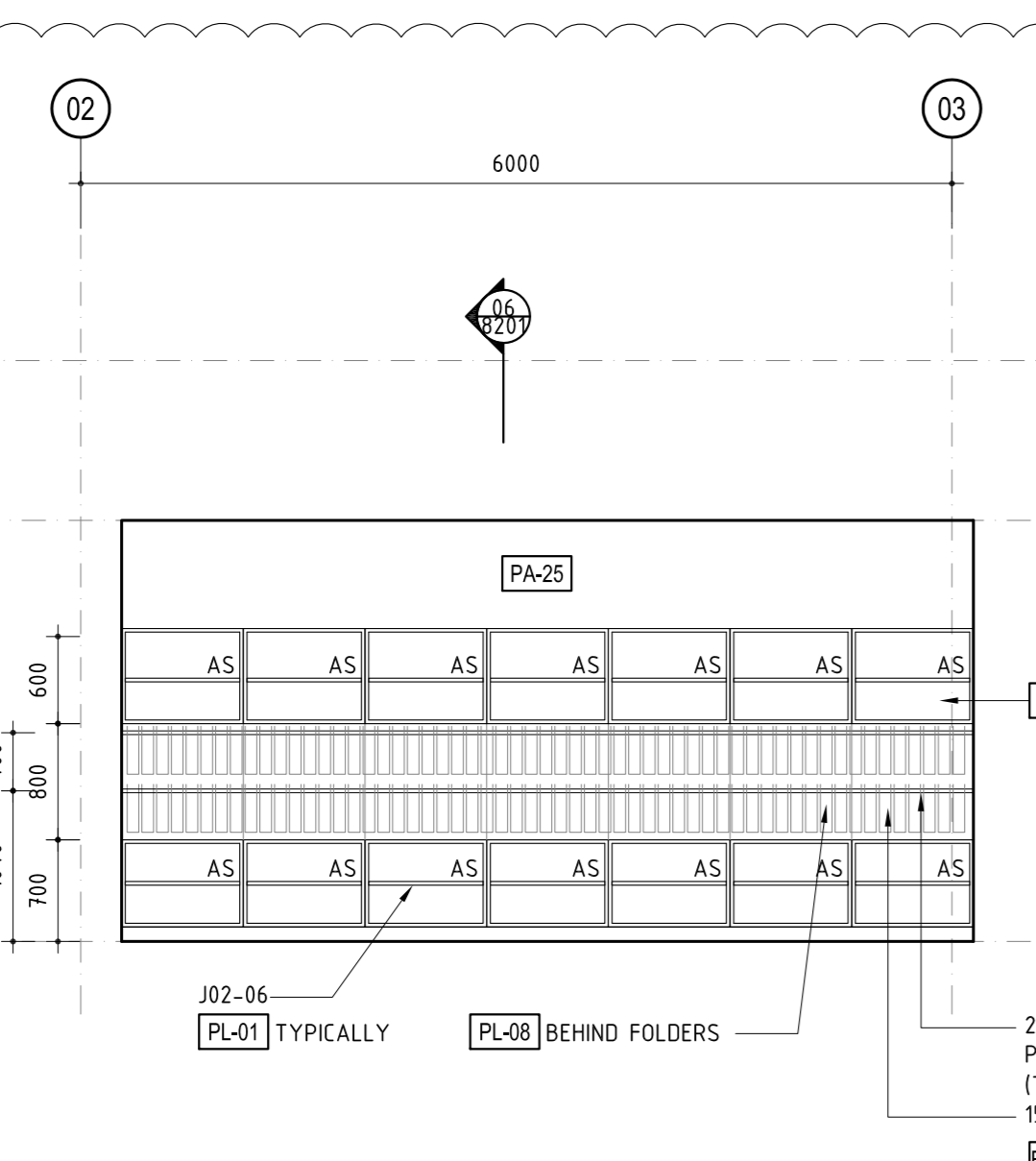
13 J02-09 - JOINERY PLAN
SCALE 1:50



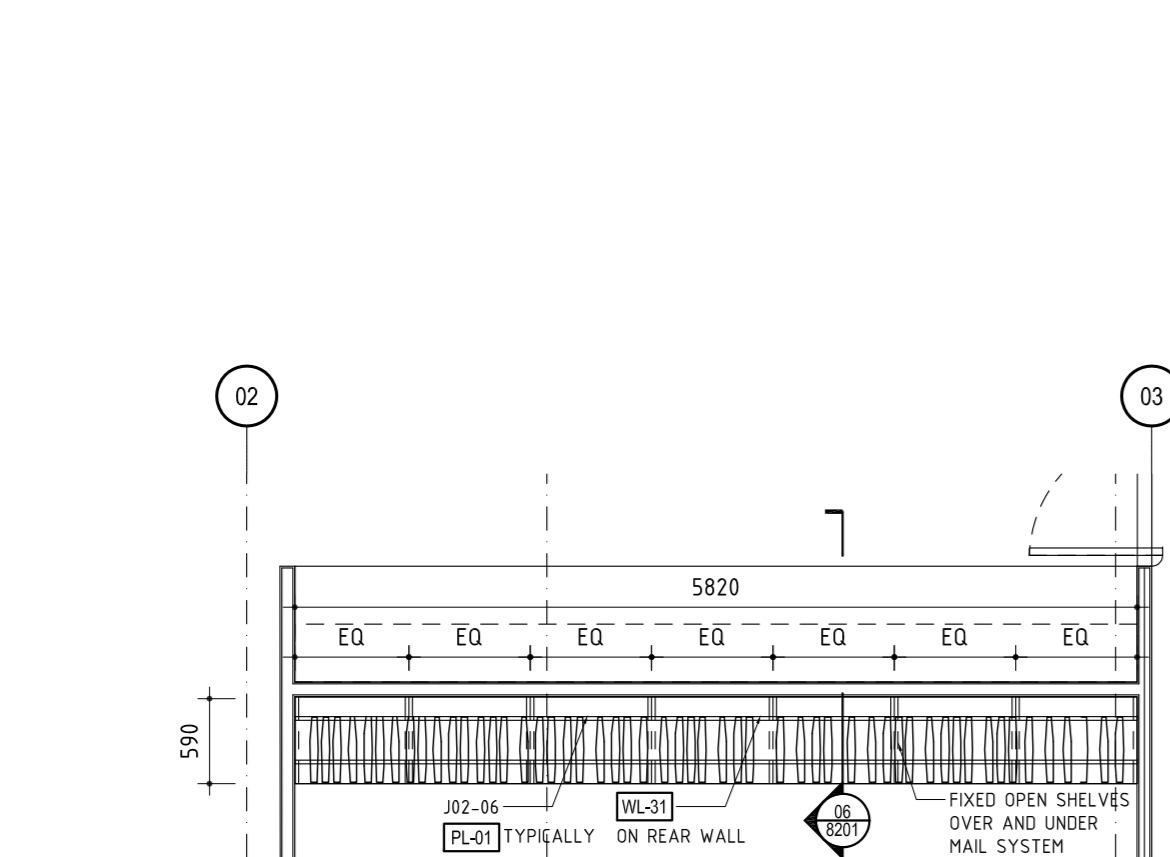
12 J02-07 - JOINERY ELEVATION
SCALE 1:50



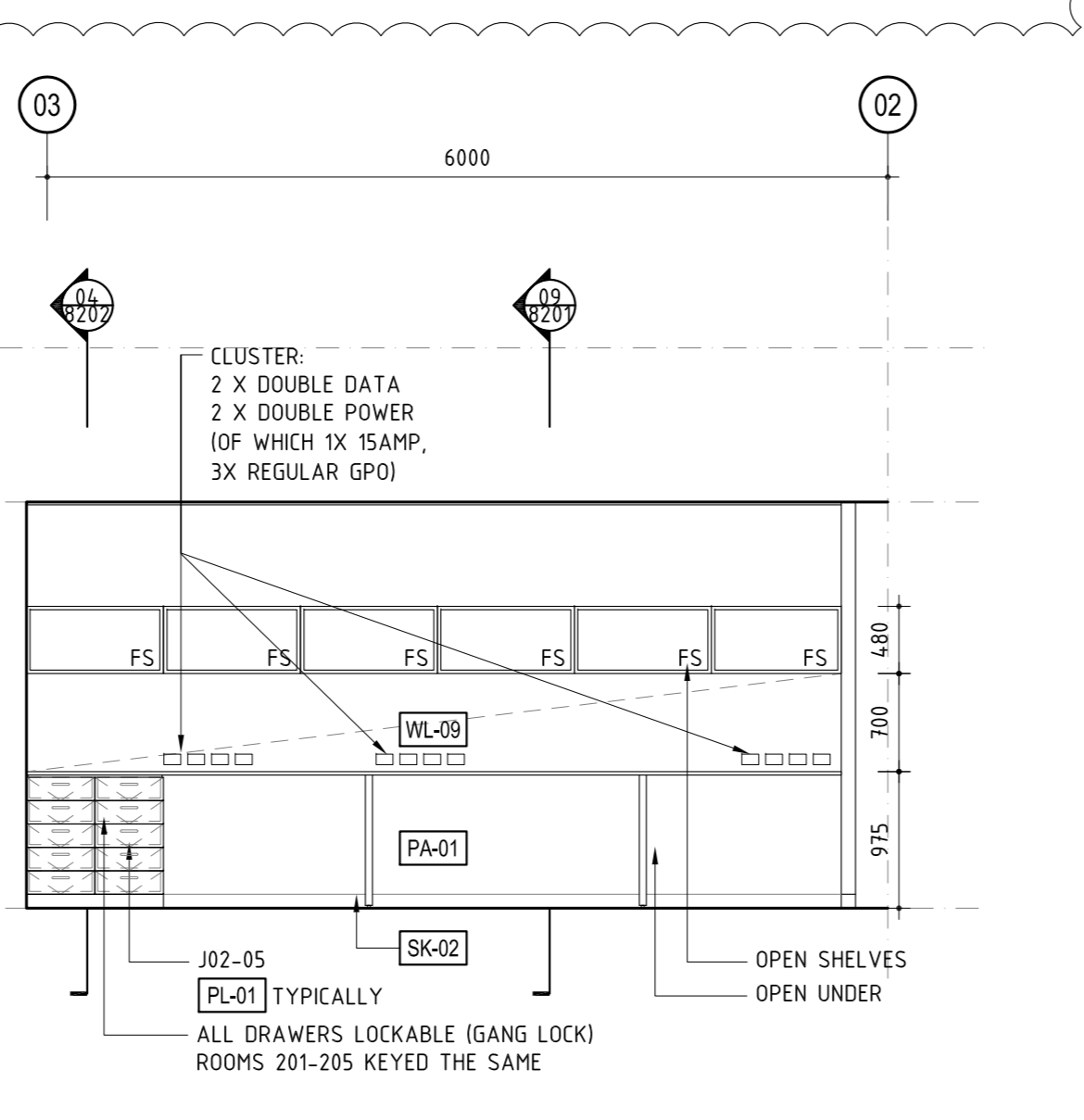
06 J02-07 - JOINERY PLAN
SCALE 1:50



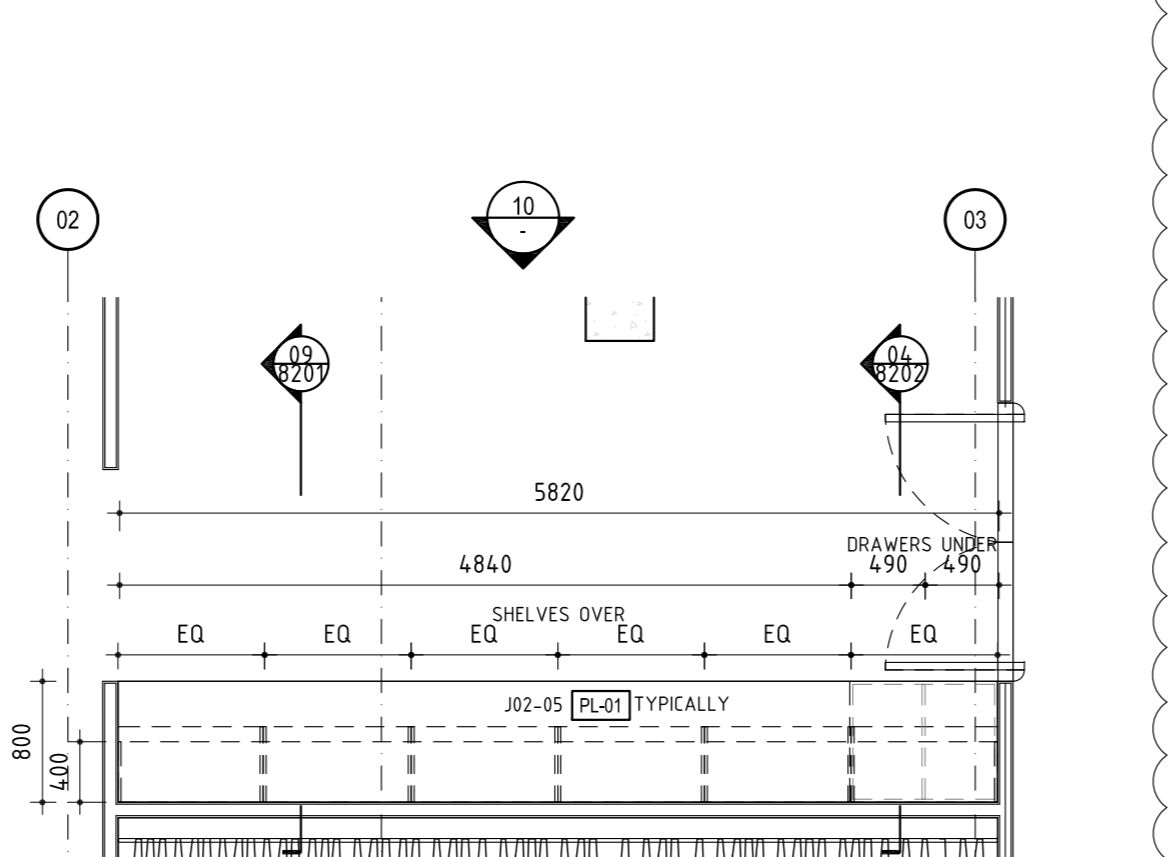
11 J02-06 - JOINERY ELEVATION
SCALE 1:50



05 J02-06 - JOINERY PLAN
SCALE 1:50



10 J02-05 - JOINERY ELEVATION
SCALE 1:50



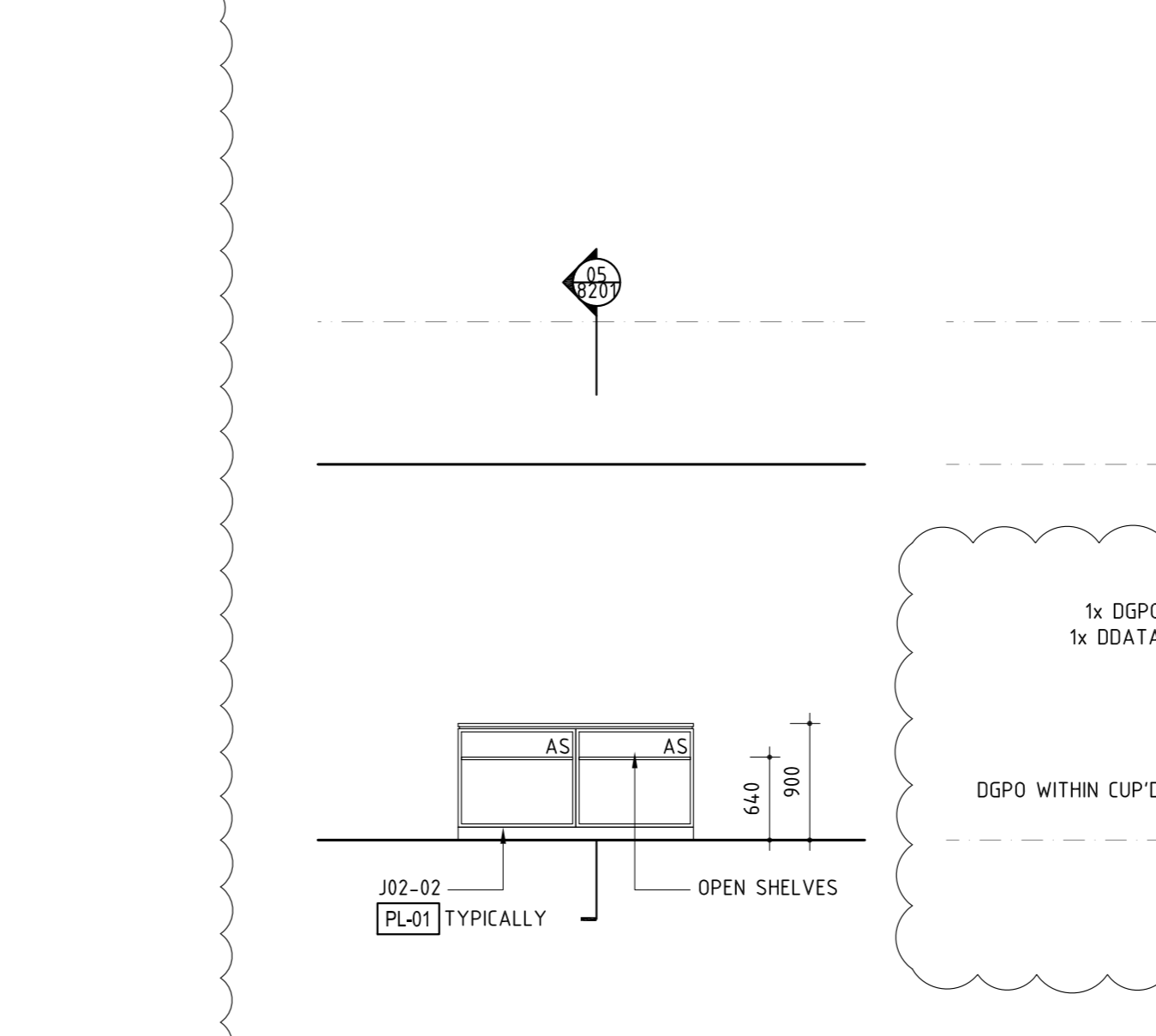
04 J02-05 - JOINERY PLAN
SCALE 1:50



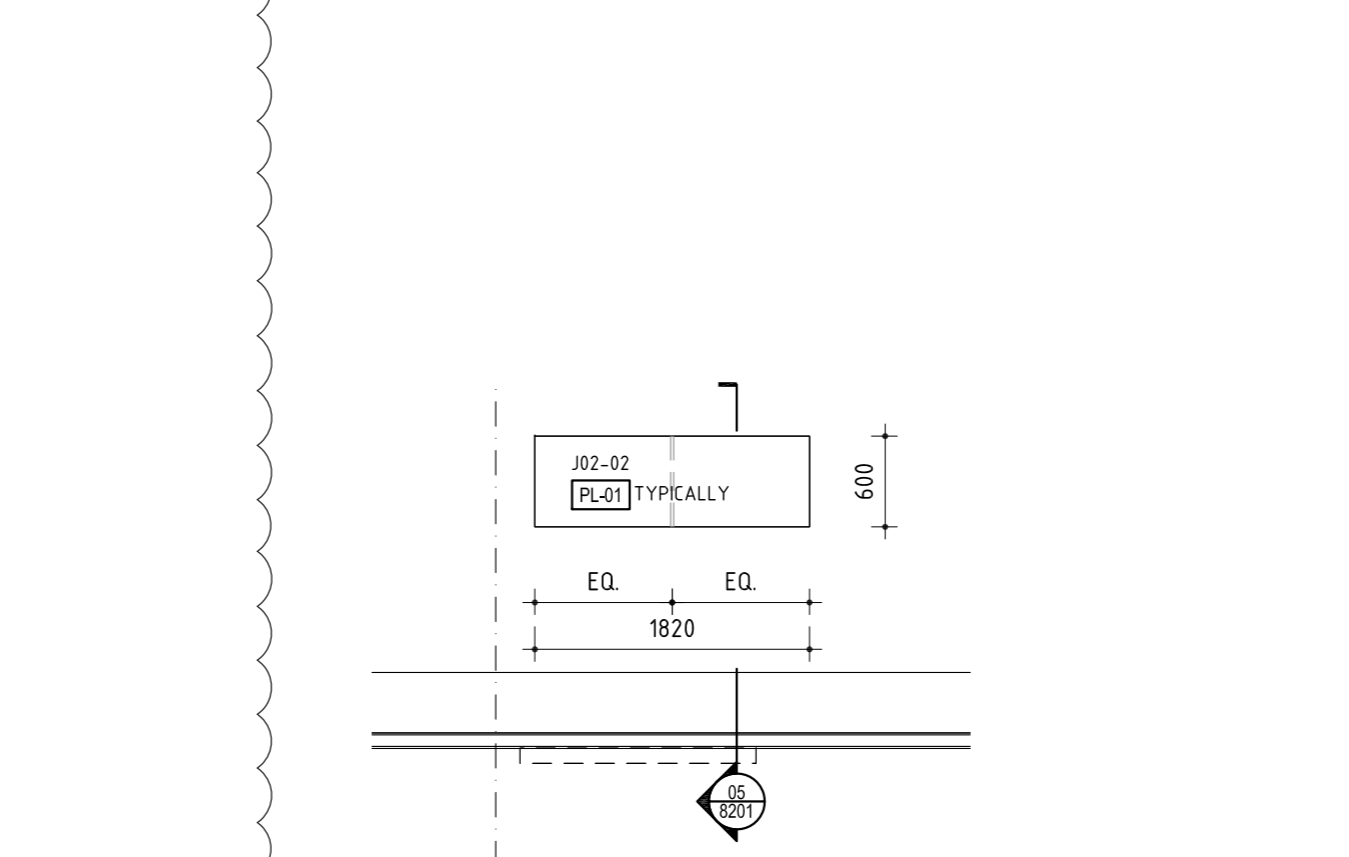
09 DELETED
SCALE 1:50



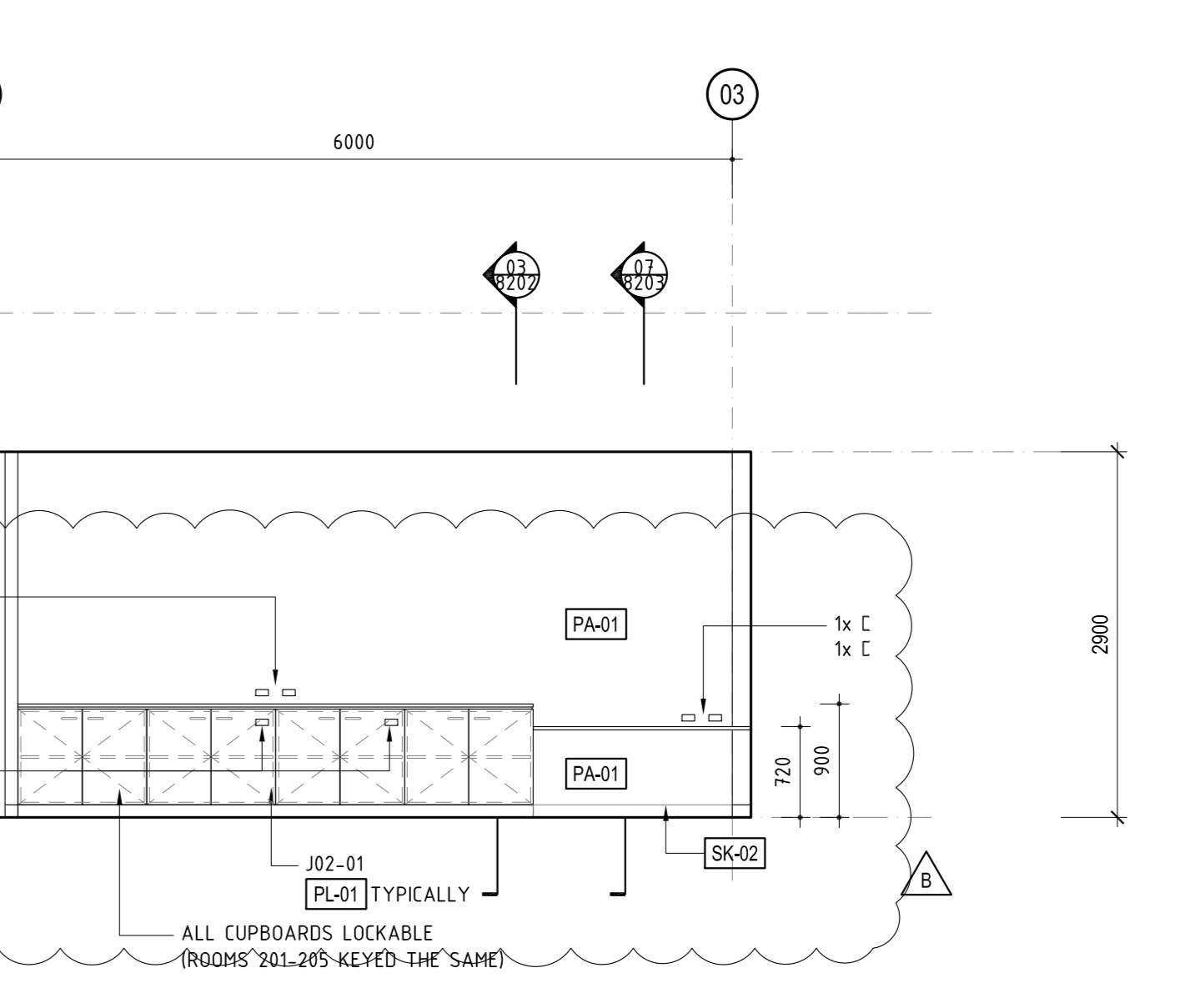
03 DELETED
SCALE 1:50



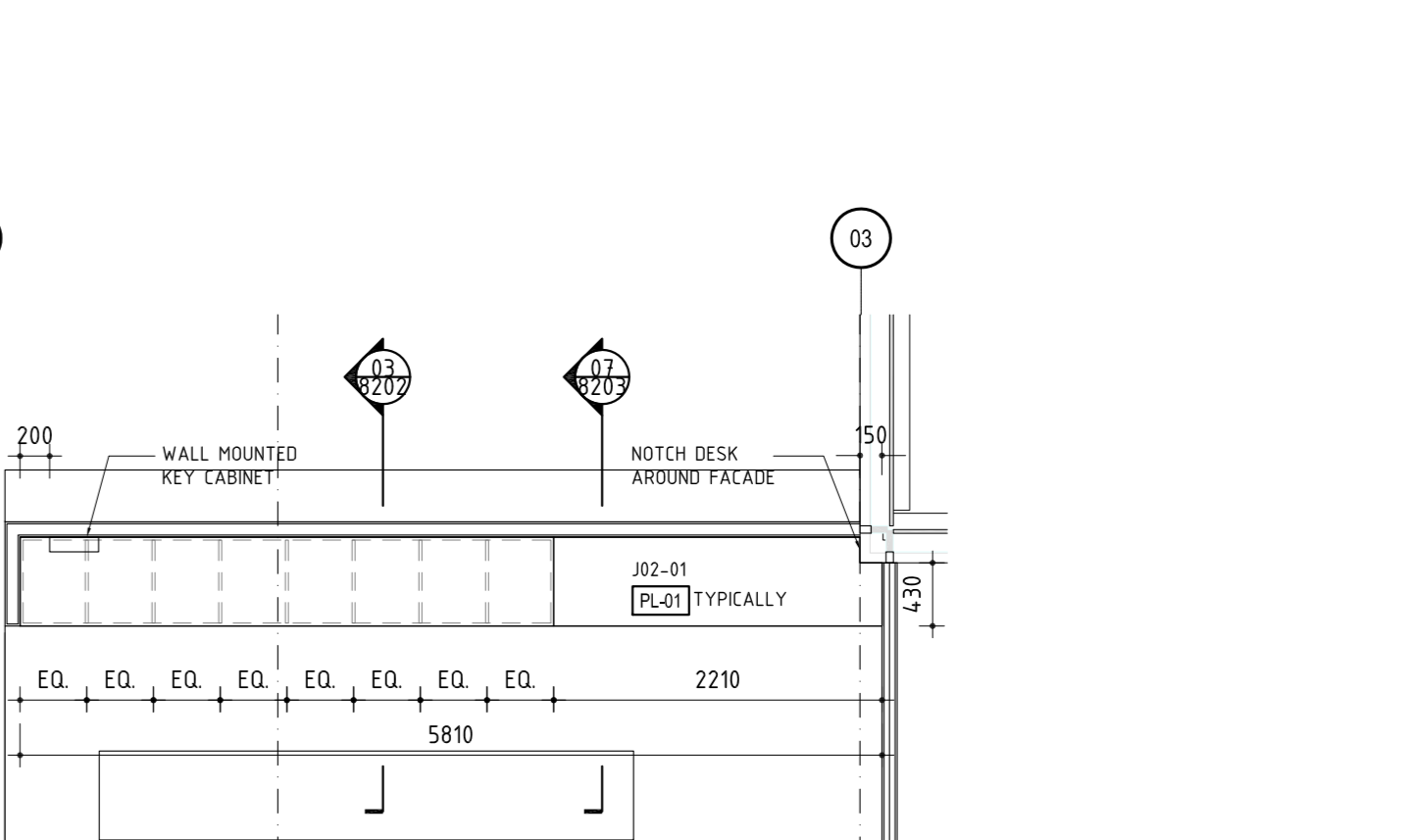
08 J02-02 - JOINERY ELEVATION
SCALE 1:50



02 J02-02 - JOINERY PLAN
SCALE 1:50



07 J02-01 - JOINERY ELEVATION
SCALE 1:50



01 J02-01 - JOINERY PLAN
SCALE 1:50